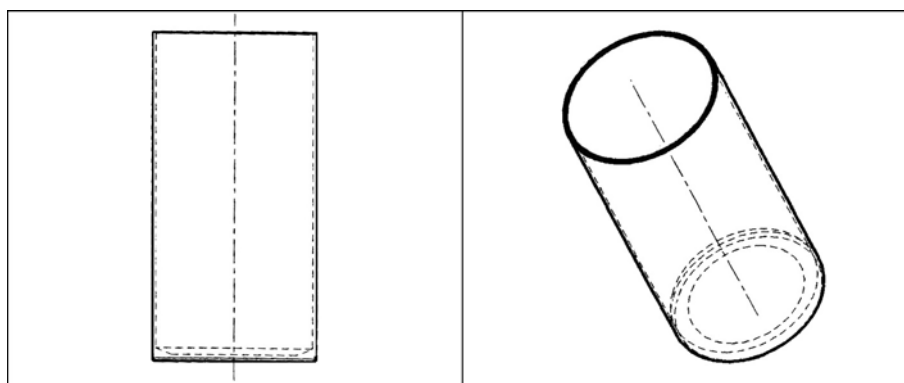


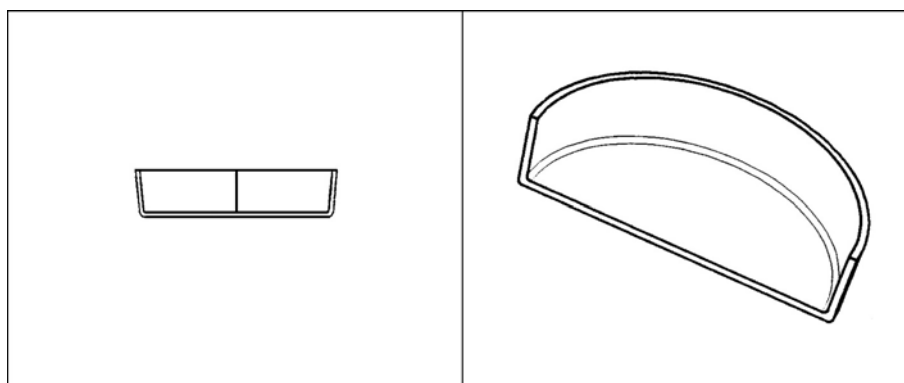
ALUMINIUM CAPSULES with FLAT BOTTOM



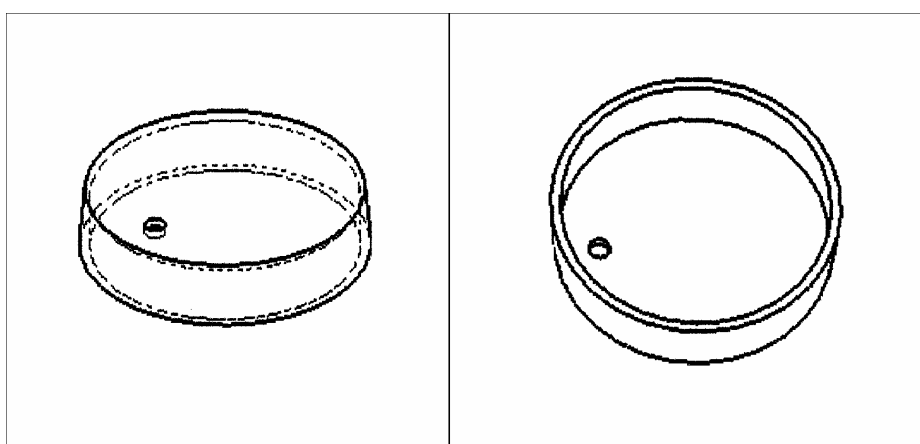
Art.-N°	Outside Ø	Inside Ø	Height	Vol.	Material	Packing units pces
	mm	mm	mm	ml		
20070	3,70	3,50	5,50	0,040	Al 99,5	250
20080	3,70	3,50	7,00	0,060	Al 99,5	250
20090	3,70	3,50	9,00	0,070	Al 99,5	250
20110	4,70	4,20	5,50		Al 99,5	100
20130	6,70	6,20	3,00		Al 99,5	100
20140	6,70	6,20	5,50		Al 99,5	100
20150	6,70	6,20	11,30		Al 99,5	50

- On demand, aluminium mould for the nanotechnology

DSC ALUMINIUM COVER/CRUCIBLE



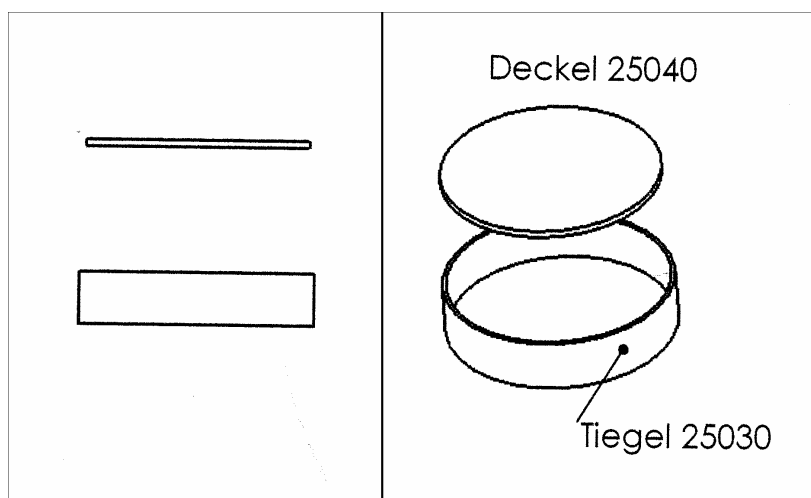
Art.-N°	Ø	Height	Material	Packing units pcs	
	mm	mm			
25010	6,25	1,50	Al 99,5	100	Without boring



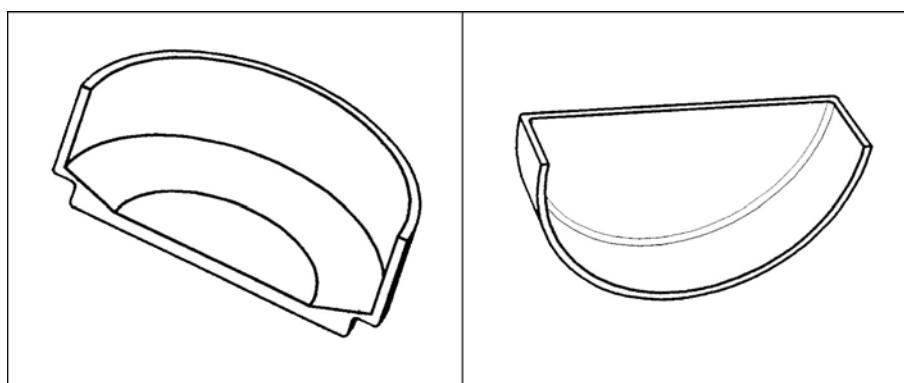
Art.-N°	Ø	Height	Material	Packing units pcs	
	mm	mm			
25020	6,25	1,50	Al 99,5	100	With boring

- On demand, thermal handling (removal of tension)

DSC ALUMINIUM CRUCIBLE and COVER



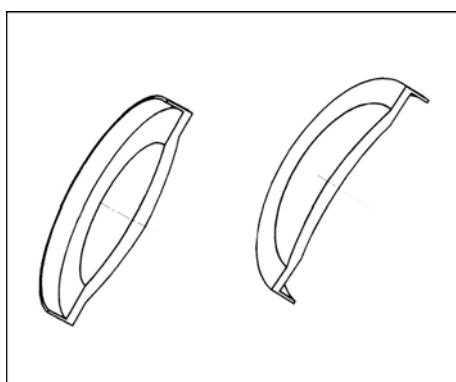
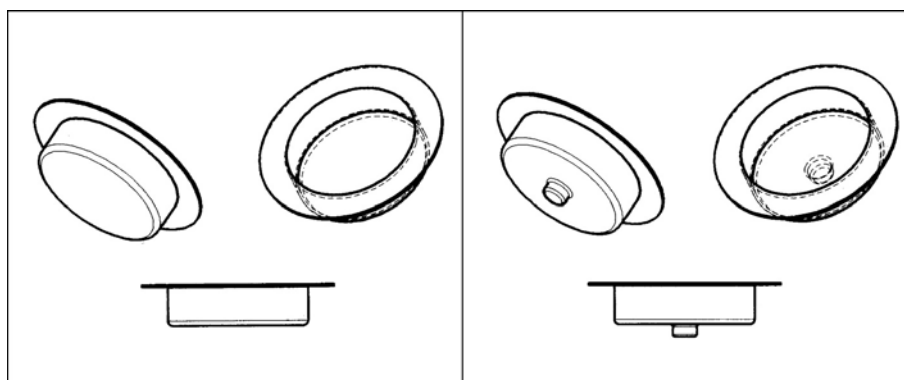
Art.-N°	Ø	Height	Material	Packing units pcs	
	mm	mm			
25030	6,40	1,50	Al 99,5	100	Crucible
25040	6,30	0,10	Al 99,5	100	Cover



Art.-N°	Ø	Height	Material	Packing units pcs	
	mm	mm			
90525	6,25	1,00	Al 99,5	100	Cover
90535	6,30	2,50	Al 99,5	100	Crucible with centring device

- On demand, thermal handling (removal of tension)

DSC ALUMINIUM CRUCIBLE and COVER



Art.-N°	Ø	Height	Material	Packing units	
	mm	mm		pcs	
90500	5,50	1,70	Al 99,5	100	Without pin
90510	5,50	2,20	Al 99,5	100	With pin
90515	8,00	1,00	Al 99,5	100	Cover with boring 0,05
90520	8,00	1,00	Al 99,5	100	Cover without boring

- On demand, thermal handling (removal of tension)